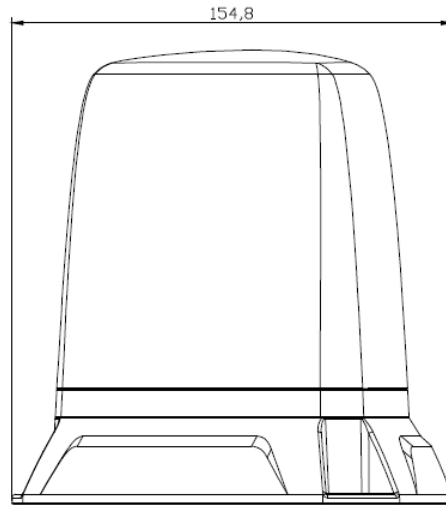
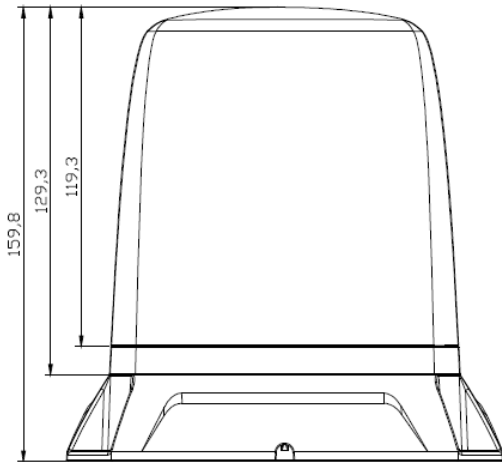
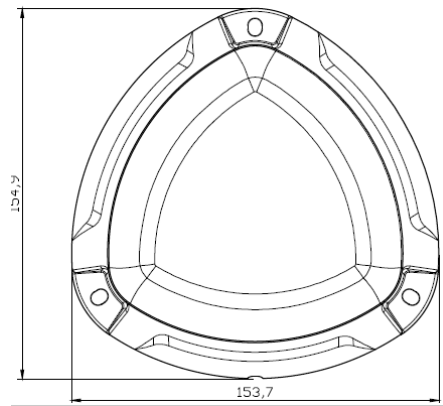


## Specification Sheet



### Technical Specifications:

Height	160mm
Lens Colour	Amber
Output Colour	Amber
Lens Material	Makrolon 2607 Polycarbonate
Housing Material	Die Cast Aluminium
Weight	879g
Input voltage	10-33V
LED's	36 x 3W
Current Draw (rotate, flash)	1.1A, 2.4A
SAE	J845 Class1, W3-1
ECE R65	TA2—E9*65R00/10*6695*00
ECE R10	E9*10R06/01*22672*01
CISPR25	Class 3
ROHS	✓ - LCS210901131AR
REACH	✓ - LCS210901130AR
IP Rating	IP67 + IP69K
Operating Temperature	-30° — +60°
Vibration tests	IEC 60068-2-64 MIL-STD-810G.514.6
Mechanical Shock Test	ISO 16750-3:2007 4.2.2
Night Mode Percentage	60%
Adapter Plate	Included



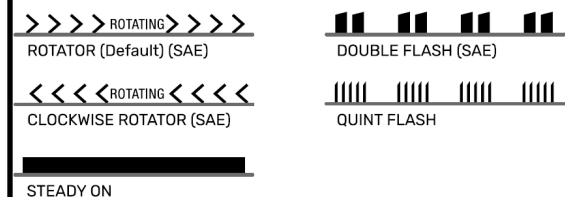
Bolt holes the same as any  $\varnothing 150$ mm beacon/strobe

### Wiring Diagram:

- Red—Positive DC
- Black—Ground/negative
- Grey—Manual high/low mode (<3 sec)
- Grey—Turn on sensor (constant power)
- Yellow—Pattern change
- White—Synchronise

### Flash Patterns

The unit comes with 4 user-selectable flash patterns plus steady on



Distributed by Brown and Watson International

1500 Ferntree Gully Road, Knoxfield, 3180

P.) 1800 422 422