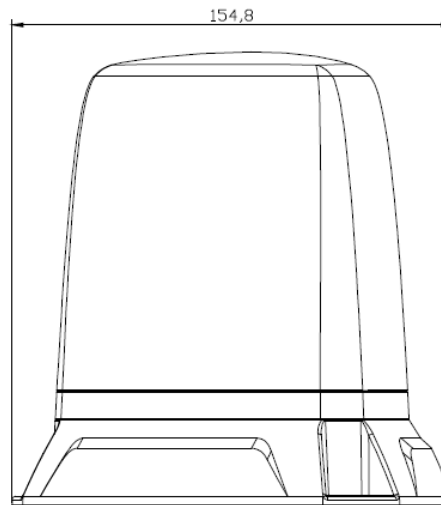
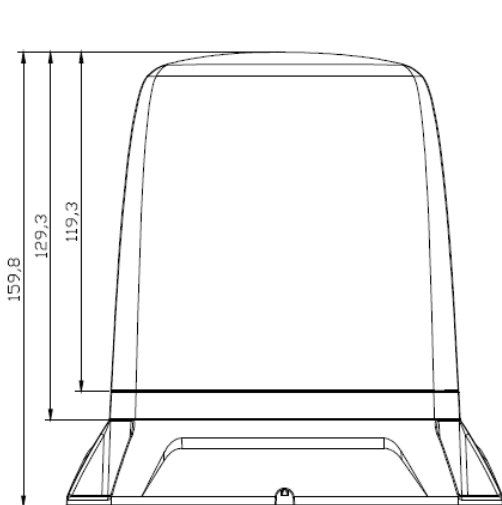
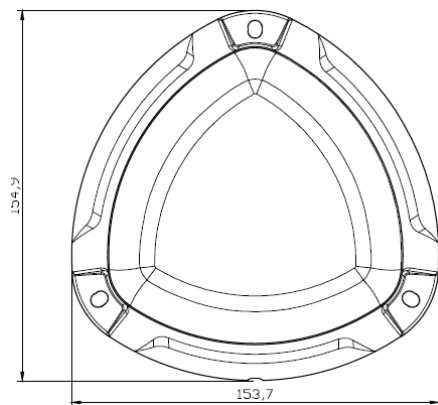


## Specification Sheet



### Technical Specifications:

|                              |                                      |
|------------------------------|--------------------------------------|
| Height                       | 160mm                                |
| Lens Colour                  | Green                                |
| Output Colour                | Green                                |
| Lens Material                | Makrolon 2607 Polycarbonate          |
| Housing Material             | Die Cast Aluminium                   |
| Weight                       | 879g                                 |
| Input voltage                | 10-33V                               |
| LED's                        | 36 x 3W                              |
| Current Draw (rotate, flash) | 1.1A, 2.4A                           |
| SAE                          | N/A                                  |
| ECE R65                      | N/A                                  |
| ECE R10                      | E9*10R06/01*22672*01                 |
| CISPR25                      | Class 3                              |
| ROHS                         | ✓ - LCS210901131AR                   |
| REACH                        | ✓ - LCS210901130AR                   |
| IP Rating                    | IP67 + IP69K                         |
| Operating Temperature        | -30° — +60°                          |
| Vibration tests              | IEC 60068-2-64<br>MIL-STD-810G.514.6 |
| Mechanical Shock Test        | ISO 16750-3:2007 4.2.2               |
| Night Mode Percentage        | 60%                                  |
| Adapter Plate                | Included                             |



Bolt holes the same as any  $\phi$ 150mm beacon/strobe

### Wiring Diagram:

- Red—Positive DC
- Black—Ground/negative
- Grey—Manual high/low mode (<3 sec)
- Grey—Turn on sensor (constant power)
- Yellow—Pattern change
- White—Synchronise

### Flash Patterns

The unit comes with 4 user-selectable flash patterns plus steady on

|                                |                           |
|--------------------------------|---------------------------|
| <p>ROTATOR (Default) (SAE)</p> | <p>DOUBLE FLASH (SAE)</p> |
| <p>CLOCKWISE ROTATOR (SAE)</p> | <p>QUINT FLASH</p>        |
| <p>STEADY ON</p>               |                           |

Distributed by Brown and Watson International

1500 Ferntree Gully Road, Knoxfield, 3180

P.) 1800 422 422