



@1LUX



CUSTOM TRIMS



HARNESS FREE



YEAR WARRANTY

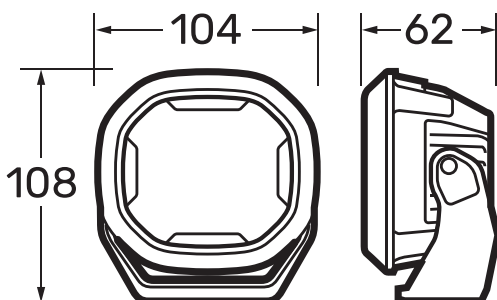
### DESCRIPTION

EX2's hybrid beam provides outstanding width and distance, without dark spots or hot spots, ensuring exceptional clarity in the dark.

Revolutionary internal switching (patent pending) means no harness is required.

Making for the easiest wiring on the market and eliminating the need to wire these components through the firewall.

EX2's are built to last; sealed to IP68 & IP69K, with hard-coated polycarbonate lens, composite mounting brackets, stainless steel mounting hardware and a 7 year warranty.



Raw Lumens	3295lm
Effective Lumens	2260lm
Beam Distance	220m @ 1lux
Beam Width	32m @ 1lux
Colour Temperature	5700K ±5%
Colour Rendering Index (CRI)	70
Height	108
Depth	62
Width	104
Weight	650g ±10%
Cable Length	0.5m
Housing	Pressure die-cast aluminium
Lens Material	Hard coated polycarbonate
Lens Protector	Black ABS
Bracket	Nylon + 30% Glass-Filled
Mounting	1 Bolt
Input Voltage	9-33V DC
Current Raw (@13.5V/@28V) Per Lamp	2.52/1.22
LED's	12
LED Spec	5W CREE LED
LED Power	34
Protection	Reverse Polarity Protection, Over and Under Voltage Protection
IP Rating	IP68 & IP69K
Operating Temperature	-40 - +60°
ECE R10	✓
RCM	✓
Warranty	7 Years
Wiring	Red - Positive Yellow - High Beam Trigger Black - Negative
Country of Origin	China
Kit Includes	1 x 4 Driving Light 1 x BLACK Lens Protectors 1 x Colour Trim fitted on lamp (Electric Blue) 1 x Colour Trim (Slate Grey) 1 x Wiring Pigtail Lead (500mm length) Product Instructions S/S Hardware

# NARVA®

## SPECIFICATIONS

### EX2 6" DRIVING LIGHT

### 72162



@1LUX



CUSTOM TRIMS



HARNESS FREE



7 YEAR WARRANTY

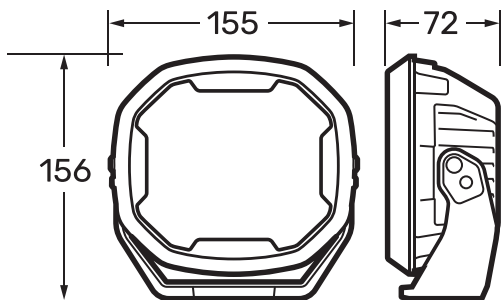
#### DESCRIPTION

EX2's hybrid beam provides outstanding width and distance, without dark spots or hot spots, ensuring exceptional clarity in the dark.

Revolutionary internal switching (patent pending) means no harness is required.

Making for the easiest wiring on the market and eliminating the need to wire these components through the firewall.

EX2's are built to last; sealed to IP68 & IP69K, with hard-coated polycarbonate lens, composite mounting brackets, stainless steel mounting hardware and a 7 year warranty.



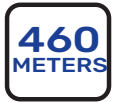
Raw Lumens	6000lm
Effective Lumens	4600lm
Beam Distance	370m @ 1lux
Beam Width	45m @ 1lux
Colour Temperature	5700K ±5%
Colour Rendering Index (CRI)	70
Height	156
Depth	72
Width	155
Weight	1390g ±10%
Cable Length	0.5m
Housing	Pressure die-cast aluminium
Lens Material	Hard coated polycarbonate
Lens Protector	Black ABS
Bracket	Nylon + 30% Glass-Filled
Mounting	1 Bolt Mount
Input Voltage	9-33V DC
Current Raw (@13.5V/@28V) Per Lamp	4.74/2.29
LED's	24
LED Spec	5W CREE LED
LED Power	64
Protection	Reverse Polarity Protection, Over and Under Voltage Protection
IP Rating	IP68 & IP69K
Operating Temperature	-40 - +60°
ECE R10	✓
RCM	✓
Warranty	7 Years
Wiring	Red - Positive Yellow - High Beam Trigger Black - Negative
Country of Origin	China
Kit Includes	2 x 6" Driving Light 2 x BLACK Lens Protectors 1 x Colour Trim fitted on lamp (Electric Blue) 1 x Colour Trim (Slate Grey) 1 x Wiring Harness Lead Product Instructions S/S Hardware

# NARVA®

## SPECIFICATIONS

### EX2 7" DRIVING LIGHT

### 72172



@1LUX



CUSTOM TRIMS



HARNESS FREE



7 YEAR WARRANTY

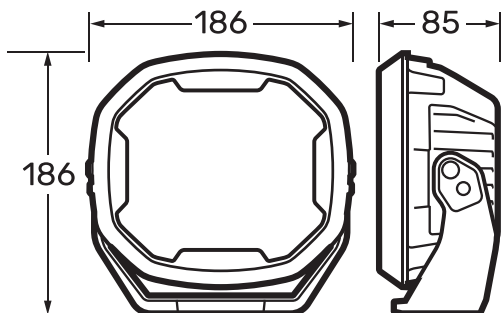
#### DESCRIPTION

EX2's hybrid beam provides outstanding width and distance, without dark spots or hot spots, ensuring exceptional clarity in the dark.

Revolutionary internal switching (patent pending) means no harness is required.

Making for the easiest wiring on the market and eliminating the need to wire these components through the firewall.

EX2's are built to last; sealed to IP68 & IP69K, with hard-coated polycarbonate lens, composite mounting brackets, stainless steel mounting hardware and a 7 year warranty.



Raw Lumens	8160lm
Effective Lumens	6000lm
Beam Distance	460m @ 1lux
Beam Width	45m @ 1lux
Colour Temperature	5700K ±5%
Colour Rendering Index (CRI)	70
Height	186
Depth	85
Width	186
Weight	2000g ±10%
Cable Length	0.5m
Housing	Pressure die-cast aluminium
Lens Material	Hard coated polycarbonate
Lens Protector	Black ABS
Bracket	Nylon + 30% Glass-Filled
Mounting	1 bolt mount
Input Voltage	9-33V DC
Current Raw (@13.5V/@28V) Per Lamp	5.78/2.79
LED's	24
LED Spec	5W CREE LED
LED Power	78
Protection	Reverse Polarity Protection, Over and Under Voltage Protection
IP Rating	IP68 & IP69K
Operating Temperature	-40 - +60°
ECE R10	✓
RCM	✓
Warranty	7 Years
Wiring	Red - Positive Yellow - High Beam Trigger Black - Negative
Country of Origin	
Kit Includes	2 x 7" Driving Light 2 x BLACK Lens Protectors 1 x Colour Trim fitted on lamp (Electric Blue) 1 x Colour Trim (Slate Grey) 1 x Wiring Harness Lead Product Instructions S/S Hardware



@1LUX



CUSTOM TRIMS



HARNESS FREE



7 YEAR WARRANTY

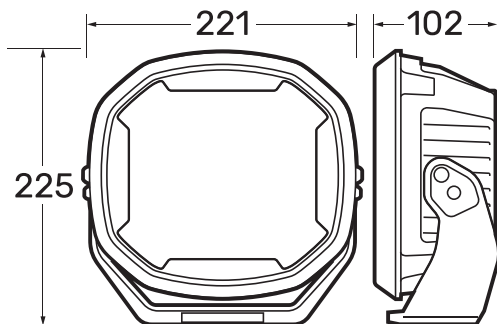
### DESCRIPTION

EX2's hybrid beam provides outstanding width and distance, without dark spots or hot spots, ensuring exceptional clarity in the dark.

Revolutionary internal switching (patent pending) means no harness is required.

Making for the easiest wiring on the market and eliminating the need to wire these components through the firewall.

EX2's are built to last; sealed to IP68 & IP69K, with hard-coated polycarbonate lens, composite mounting brackets, stainless steel mounting hardware and a 7 year warranty.



Raw Lumens	13600lm
Effective Lumens	9700lm
Beam Distance	700m @ 1lux
Beam Width	60m @ 1lux
Colour Temperature	5700K ±5%
Colour Rendering Index (CRI)	70
Height	225
Depth	102
Width	221
Weight	2620g ±10%
Cable Length	0.5m
Housing	Pressure die-cast aluminium
Lens Material	Hard coated polycarbonate
Lens Protector	Black ABS
Bracket	Nylon + 30% Glass-Filled
Mounting	3 Bolt
Input Voltage	9-33V DC
Current Raw (@13.5V/@28V) Per Lamp	9.62/4.64
LED's	40
LED Spec	5W CREE LED
LED Power	130
Protection	Reverse Polarity Protection, Over and Under Voltage Protection
IP Rating	IP68 & IP69K
Operating Temperature	-40 - +60°
ECE R10	✓
RCM	✓
Warranty	7 Years
Wiring	Red - Positive Yellow - High Beam Trigger Black - Negative
Country of Origin	
Kit Includes	2 x 9" Driving Light 2 x BLACK Lens Protectors 1 x Colour Trim fitted on lamp (Electric Blue) 1 x Colour Trim (Slate Grey) 1 x Wiring Harness Lead Product Instructions S/S Hardware