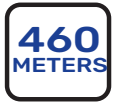


NARVA®

SPECIFICATIONS

EX2R 7" DRIVING LIGHT KIT 72174



@1LUX

CUSTOM
TRIMS

HARNASS
FREE

7
YEAR
WARRANTY

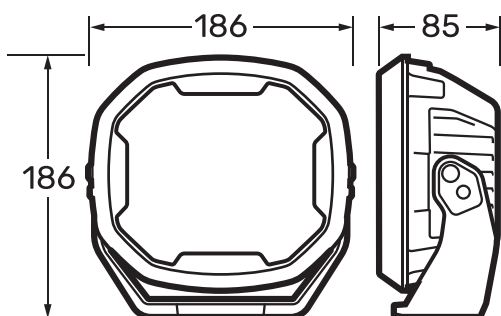
DESCRIPTION

EX2R's feature ADR Approved white front position lights with RGB technology, offering a choice of 48 colours.

With a hybrid beam that provides exceptional width and distance, without dark spots or hot spots, ensuring extraordinary clarity in the dark.

Revolutionary internal switching (patent-pending) means there is no need for a harness.

Sealed to IP68 & IP69K standards, equipped with hard-coated polycarbonate lenses, composite mounting brackets, stainless steel hardware, and backed by a robust 7-year warranty, the EX2R's are built for long-lasting performance.



Raw Lumens	8160lm
Effective Lumens	6000lm
Beam Distance	460m @ 1lux
Beam Width	45m @ 1lux
Colour Temperature	5700K ±5%
Colour Rendering Index (CRI)	70
Height	186
Depth	85
Width	186
Weight	2000g ±10%
Cable Length	2.1m
Housing	Pressure die-cast aluminium
Lens Material	Hard coated polycarbonate
Lens Protector	Black ABS
Bracket	Nylon + 30% Glass-Filled
Mounting	1 bolt mount
Input Voltage	9-33V DC
Current Raw (@13.5V/@28V) Per Lamp	5.78/2.79
LED's	24
LED Spec	5W CREE LED
LED Power	78
Protection	Reverse Polarity Protection, Over and Under Voltage Protection
IP Rating	IP68 & IP69K
Operating Temperature	-40 - +60°
ECE R10	✓
RCM	✓
Warranty	7 Years
Wiring	Red - Positive Yellow - High Beam Trigger Black - Negative
Country of Origin	China
Kit Includes	2 x 7" Driving Lights 2 x Clear Lens Protectors 4 x Colour Trims (Electric Blue - fitted on lamp/Slate Grey - in box) 1 x Fused Wiring Harness 2 x EX2 White Position Light Adaptor lead (150mm Brown) Product Instructions S/S Hardware 1 x EX2 12V RGB Controller with 2m lead 2 x X Decal Sticker Sets