

NARVA®

SPECIFICATIONS

EX2R 9" DRIVING LIGHT 72183



@1LUX



CUSTOM TRIMS



DIY HARNESS FREE



7 YEAR WARRANTY

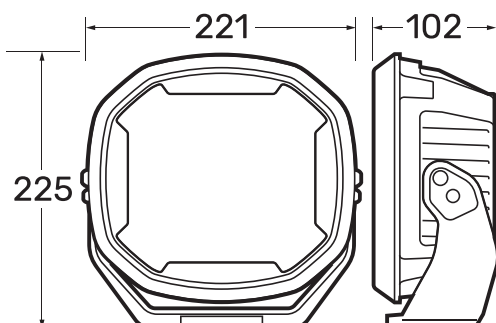
DESCRIPTION

EX2R's feature ADR Approved white front position lights with RGB technology, which when paired with the EX2R Bluetooth Controller, offer a choice of 48 colours.

With a hybrid beam that provides exceptional width and distance, without dark spots or hot spots, ensuring extraordinary clarity in the dark.

Revolutionary internal switching (patent-pending) means there is no need for a harness.

Sealed to IP68 & IP69K standards, equipped with hard-coated polycarbonate lenses, composite mounting brackets, stainless steel hardware, and backed by a robust 7-year warranty, the EX2R's are built for long-lasting performance.



Raw Lumens	13600lm
Effective Lumens	9700lm
Beam Distance	700m @ 1lux
Beam Width	60m @ 1lux
Colour Temperature	5700K ±5%
Colour Rendering Index (CRI)	70
Height	225
Depth	102
Width	221
Weight	2620g ±10%
Cable Length	2.1m
Housing	Pressure die-cast aluminium
Lens Material	Hard coated polycarbonate
Lens Protector	Black ABS
Bracket	Nylon + 30% Glass-Filled
Mounting	3 Bolt
Input Voltage	9-33V DC
Current Raw (@13.5V/@28V) Per Lamp	9.62/4.64
LED's	40
LED Spec	5W CREE LED
LED Power	130
Protection	Reverse Polarity Protection, Over and Under Voltage Protection
IP Rating	IP68 & IP69K
Operating Temperature	-40 - +60°
ECE R10	✓
RCM	✓
Warranty	7 Years
Wiring	Red - Positive Yellow - High Beam Trigger Black - Negative
Country of Origin	China
Kit Includes	1 x 9" Driving Light 1 x Clear Lens Protector 2 x Colour Trims (Electric Blue - fitted on lamp/Slate Grey - in box) 1 x Wiring Harness Lead 1 x EX2 White Position Light Adaptor lead (150mm Brown) Product Instructions S/S Hardware 1 x X Decal sticker set