

**NARVA**  
THE VISION TO GO FURTHER

# UNRIVALLED L.E.D HEADLIGHT PERFORMANCE

WHITER. BRIGHTER. LONGER.



**THE  
ULTIMATE  
HEADLIGHT  
UPGRADE**



## THE PERFECT CHOICE FOR EVERYDAY VEHICLES

DUAL  
**12/24**  
VOLTAGE

**5700°K**  
WHITE LIGHT

**4000**  
LUMENS  
(PAIR)

**25x**  
LONGER LIFE\*

**2 YEAR**  
WARRANTY



SUREFIT

**30%**  
MORE LIGHT\*

STANDARD HALOGEN



## IDEAL FOR PROFESSIONAL DRIVERS AND ENTHUSIASTS

DUAL  
**12/24**  
VOLTAGE

**5700°K**  
WHITE LIGHT

**5000**  
LUMENS  
(PAIR)

**30x**  
LONGER LIFE\*

**3 YEAR**  
WARRANTY



PERFORMANCE

**60%**  
MORE LIGHT\*

\*Compared to standard halogen globes. Results vary with headlamp type.



# SUREFIT

- ✔ A 'DIY' L.E.D UPGRADE FOR MOST PASSENGER VEHICLES
- ✔ SIMILAR SHAPE & SIZE TO A STANDARD HALOGEN GLOBE
- ✔ H7 PROJECTOR STYLE HEADLAMP OPTION AVAILABLE

Surefit L.E.D Globes are a true fit and forget headlamp upgrade. Thanks to their compact, integrated IP65 cooling fan, these globes will retrofit most standard headlamp housings.

They're available in four popular sizes including a specific 'projector' headlamp option.

DUAL  
12/24  
VOLTAGE

5700°K  
WHITE LIGHT

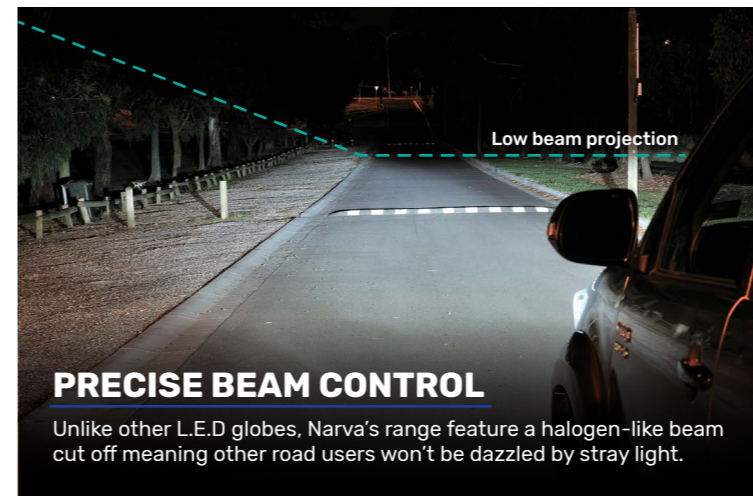
4000  
LUMENS  
(PAIR)

2 YEAR  
WARRANTY

25x  
LONGER LIFE\*



\*Compared to standard halogen globes. Results vary with headlamp type.



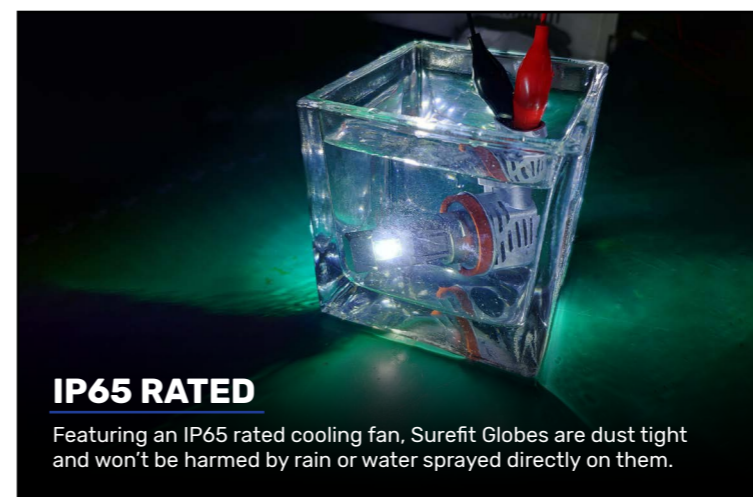
## PRECISE BEAM CONTROL

Unlike other L.E.D globes, Narva's range feature a halogen-like beam cut off meaning other road users won't be dazzled by stray light.



## SUITABLE FOR MOTORCYCLES

As Surefit globes are a comparable size to standard halogen globes, they'll fit in most compact motorcycle headlamp housings.



## IP65 RATED

Featuring an IP65 rated cooling fan, Surefit Globes are dust tight and won't be harmed by rain or water sprayed directly on them.

A DIRECT  
PLUG & PLAY  
HALOGEN  
REPLACEMENT  
SUREFIT'S COMPACT  
DESIGN SUITS A  
VEHICLE'S FACTORY  
GLOBE HOUSING

Powerful crisp  
white light output

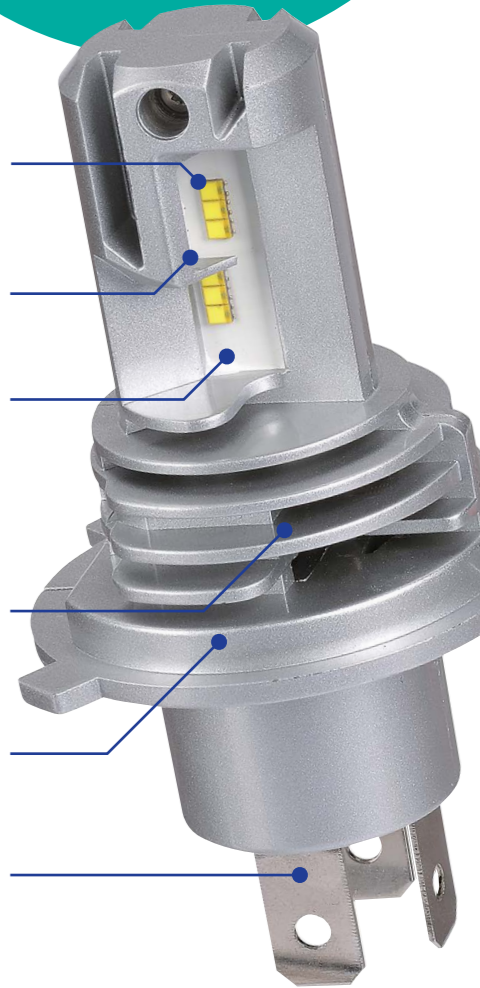
Precise beam  
cut off

Reinforced  
housing with  
no filament

Inbuilt IP65 rated  
fan providing  
optimised cooling

Super quiet  
operation with  
EMC protection

Plug & Play DIY  
fitment





# SUREFIT H7 PROJECTOR

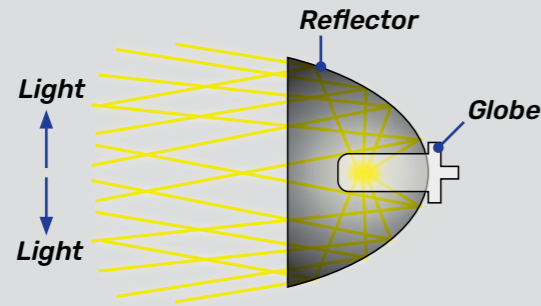
- ✔ SPECIFICALLY DESIGNED FOR PROJECTOR STYLE HEADLAMPS
- ✔ QUALITY CONSTRUCTION WITH A PRECISE BEAM CUT OFF
- ✔ AN EASY DIY RETROFIT TO MOST VEHICLE'S CURRENT HOUSING

Projector headlamps are becoming much more common, especially in premium vehicles. They work much differently to a standard headlamp with a much smaller reflector which directs a more controlled light onto the road.

To date most retrofit L.E.D globes have produced a poor beam pattern with lots of stray wasted light. The Surefit H7 'Projector' L.E.D Globe has been manufactured with precision engineering however, giving a maximum output with minimal waste.

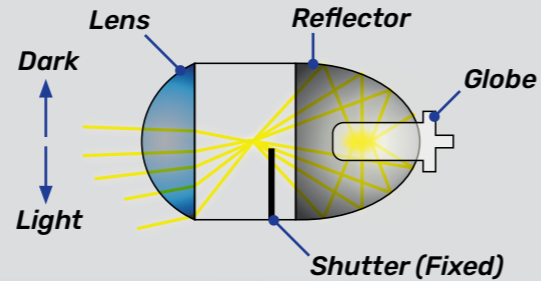
## STANDARD HEADLIGHTS

Standard vehicle headlamps utilise free form reflector optics to capture and focus the projection of light produced by the headlight globe.



## PROJECTOR HEADLIGHTS

Projector headlamps utilise a more complex system of reflector and optic lens, requiring a Projector specific globe to efficiently control the output.



\*Compared to standard halogen globes. Results vary with headlamp type.



PROJECTOR

DUAL  
12/24  
VOLTAGE

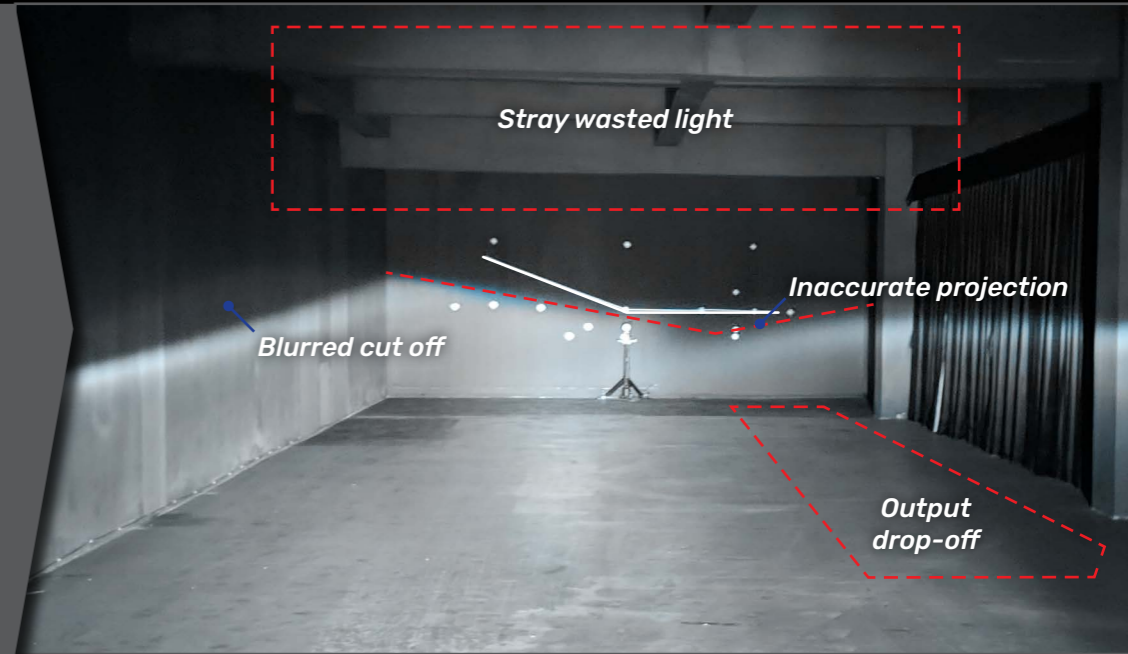
5700°K  
WHITE LIGHT

4000  
LUMENS  
(PAIR)

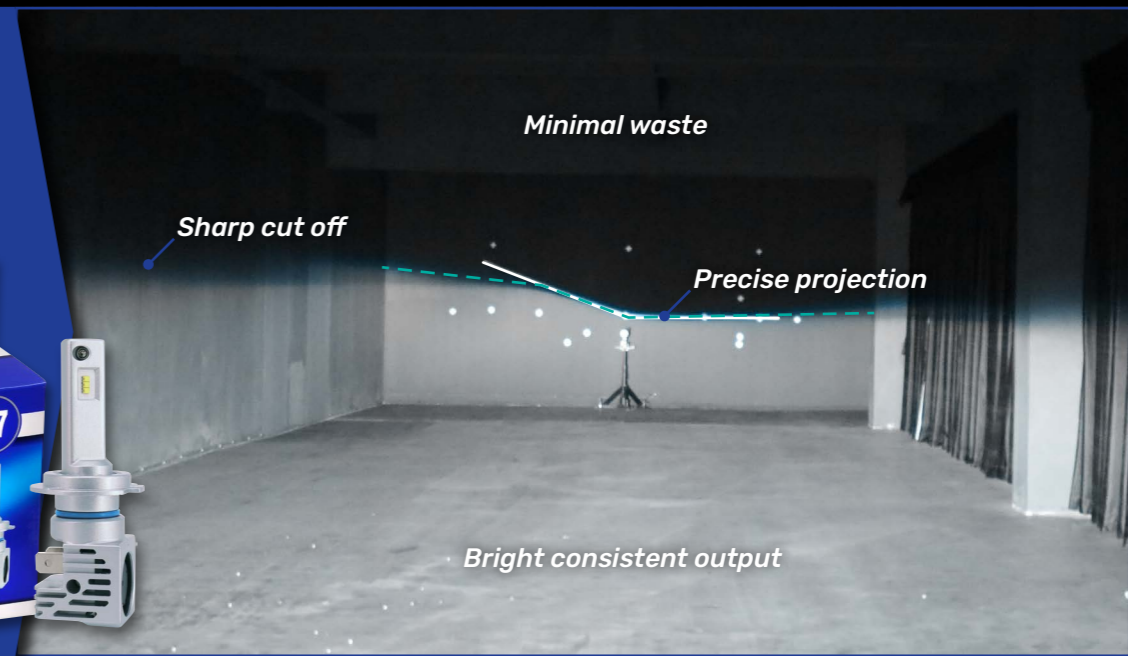
2 YEAR  
WARRANTY

25x  
LONGER LIFE\*

INFERIOR  
QUALITY  
PROJECTOR  
L.E.D GLOBE  
REPLACEMENTS



SUREFIT  
H7 PROJECTOR  
L.E.D GLOBE  
REPLACEMENTS



# PERFORMANCE

- ✔ ULTIMATE COOLING FOR LONG HOURS OF OPERATION
- ✔ EXTREME DURABILITY WITH NO MOVING PARTS
- ✔ COMPREHENSIVE RANGE OF GLOBE SIZE CONVERSION KITS

The output of L.E.D globes decreases as heat increases. Narva Performance L.E.D Globes feature an external driver and adjustable heatsink which keep the globes cooler for longer, resulting in a much longer optimal output.

With up to 80% less current draw than standard halogen globes, over 30,000 hours of run time and no moving parts, these globes provide the ultimate in brightness, quality and durability.



DUAL  
12/24  
VOLTAGE

5700°K  
WHITE LIGHT

5000  
LUMENS (PAIR)

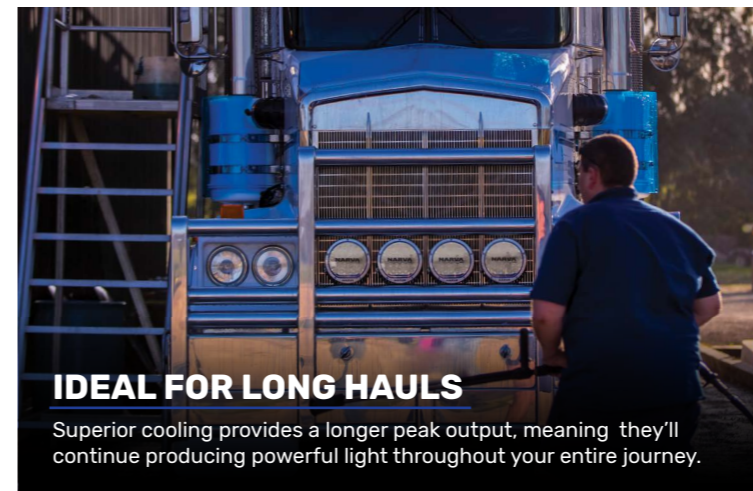
30x  
LONGER LIFE\*

3 YEAR  
WARRANTY



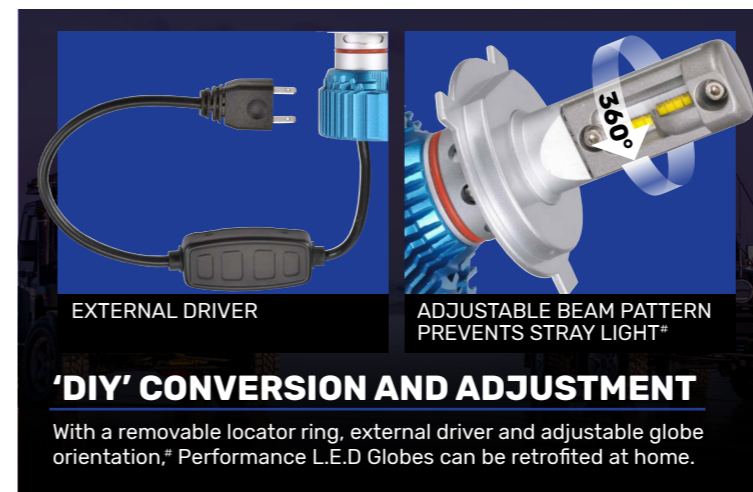
## PRECISE BEAM CONTROL

Unlike other L.E.D globes, Narva's range feature a halogen-like beam cut off meaning other road users won't be dazzled by stray light.



## IDEAL FOR LONG HAULS

Superior cooling provides a longer peak output, meaning they'll continue producing powerful light throughout your entire journey.



EXTERNAL DRIVER

ADJUSTABLE BEAM PATTERN PREVENTS STRAY LIGHT\*

## 'DIY' CONVERSION AND ADJUSTMENT

With a removable locator ring, external driver and adjustable globe orientation, Performance L.E.D Globes can be retrofitted at home.

30%  
MORE LIGHT THAN  
SUREFIT GLOBES

HEATSINK COOLED  
FOR THE ULTIMATE  
IN DURABILITY &  
A LONGER PEAK  
PERFORMANCE

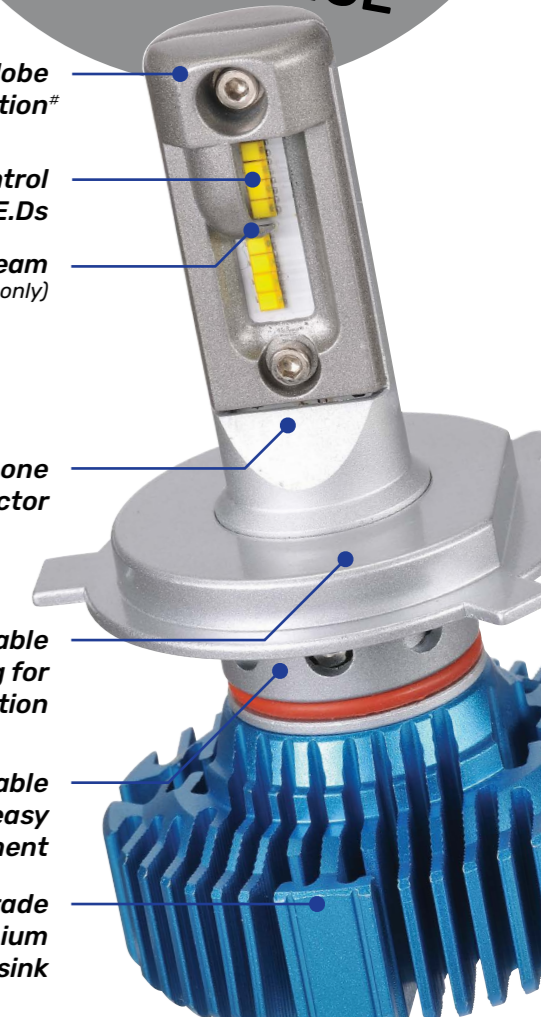
- Adjustable globe orientation#
- Precise control of L.E.Ds
- High and low beam (18404 & 18415 only)

All-in-one globe connector

Removable locator ring for easy installation

Adaptable housing for easy adjustment

Aviation grade 6063 aluminium heatsink



\*Compared to standard halogen globes. Results vary with headlamp type. #H4 and H7 globes only.

## SIZE RANGE

SCALE 1:2

### SUREFIT



H4

H7  
STANDARD

H7  
PROJECTOR

H8/9/11

USE NARVA'S INTERACTIVE GLOBE APPLICATION GUIDE TO FIND OUT WHICH GLOBES SUIT YOUR VEHICLE

[WWW.NARVA.COM.AU/RESOURCES/GLOBE-APPLICATION-GUIDE](http://WWW.NARVA.COM.AU/RESOURCES/GLOBE-APPLICATION-GUIDE)

## PERFORMANCE



H1

H4

H7

HB3

HB4

H8/9/11

HIR2

H15

H16

NOT ADR APPROVED – FOR OFF ROAD USE ONLY.

	SUREFIT	PERFORMANCE
<b>BRIGHTNESS</b>	4000 Lumens (Per Pair)	5000 Lumens (Per Pair)
<b>COOLING SYSTEM</b>	IP65 Integrated Fan	Heatsink
<b>FREE OF MOVING PARTS</b>	✗	✓
<b>SUITED FOR COMPACT SPACES</b>	✓	✗
<b>WARRANTY</b>	2 Years	3 Years
<b>BONUS L.E.D PARK GLOBES</b>	✗	✓

## CANBUS MODULES & LOAD RESISTORS

Some vehicles use a CANBUS system to detect when a globe is blown or faulty.

L.E.D globes draw a fraction of the current of standard halogen globe. This may cause some systems to think the globe is faulty, resulting in a warning light on the dash or the lights flickering or pulsing.

It is recommended to consult a qualified Auto Electrician to see if your vehicle is detailed as requiring CANBUS Modules or Load Resistors.

**Most vehicles will not require these to be fitted.**

Refer the Narva website or in-store for suitable CANBUS modules & Load Resistors (sold in pairs).

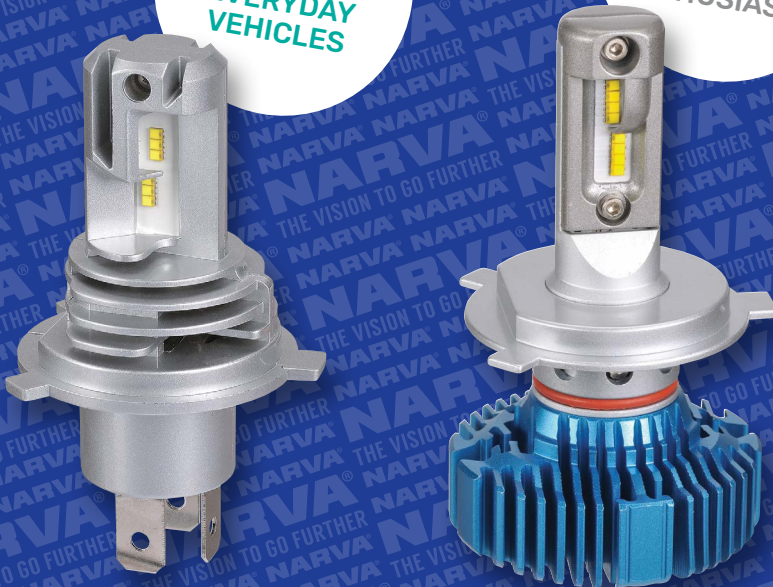


**NARVA**  
THE VISION TO GO FURTHER

Find the full range of Surefit L.E.D and  
Performance L.E.D globes at [narva.com.au](http://narva.com.au)

THE PERFECT  
CHOICE FOR  
EVERYDAY  
VEHICLES

IDEAL FOR  
PROFESSIONAL  
DRIVERS AND  
ENTHUSIASTS



SCAN THE QR CODE TO WATCH  
NARVA'S L.E.D GLOBES IN ACTION

Distributed by Brown & Watson International Pty. Ltd.  
Knoxfield, Victoria 3180 National Toll Free: 1800 113 443

NOT ADR APPROVED – FOR OFF ROAD USE ONLY.  
P/No. C LEDGLOBE8R