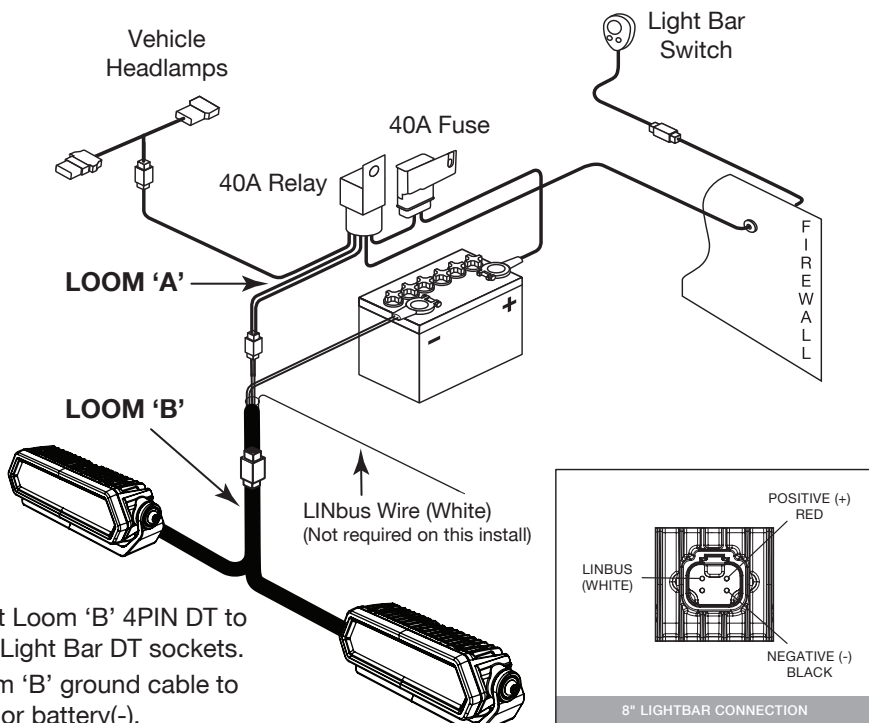


NARVA®

ULTIMA 8" LIGHT BAR PAIR WIRING HARNESS

Part No. 74405

WIRING INSTRUCTIONS



- 1 Connect Loom 'B' 4PIN DT to both 8" Light Bar DT sockets.
- 2 Fix Loom 'B' ground cable to chassis or battery(-).
- 3 Connect Loom 'A' to Loom 'B'.
- 4 Mount relay and fuse holder (Ensure these are mounted in a dry area of the engine bay).
- 5 Connect main positive cable with 40Amp relay from fuse holder to battery (+).
- 6 The kit is supplied with a pre-wired H4 loom assembly for direct connection to the vehicle headlamp high beam circuit. For globe types other than H4, an additional adapter kit (P/No. 74416) is available to suit H1, H3 and H7 globe types.
- 7 A direct connection from the vehicle high beam circuit to any alternate light source can be made by connecting the black wire to negative and red wire to positive.
- 8 Pass Loom 'A' 3 core lead through the firewall and connect to Light Bar Switch.
- 9 Test the light bar by turning on the vehicle's headlamps.
The light bar should only illuminate on high beam.

Note: Light bars must dip with H/Beam to meet ADR requirements
Use of Non-Narva high beam adapters can cause short circuit
"High Beam Splitter" included if multiple wiring harnesses are used and require high beam feed.

WIRING INSTRUCTIONS FOR CONNECT+ CONTROLLER INSTALL ONLY

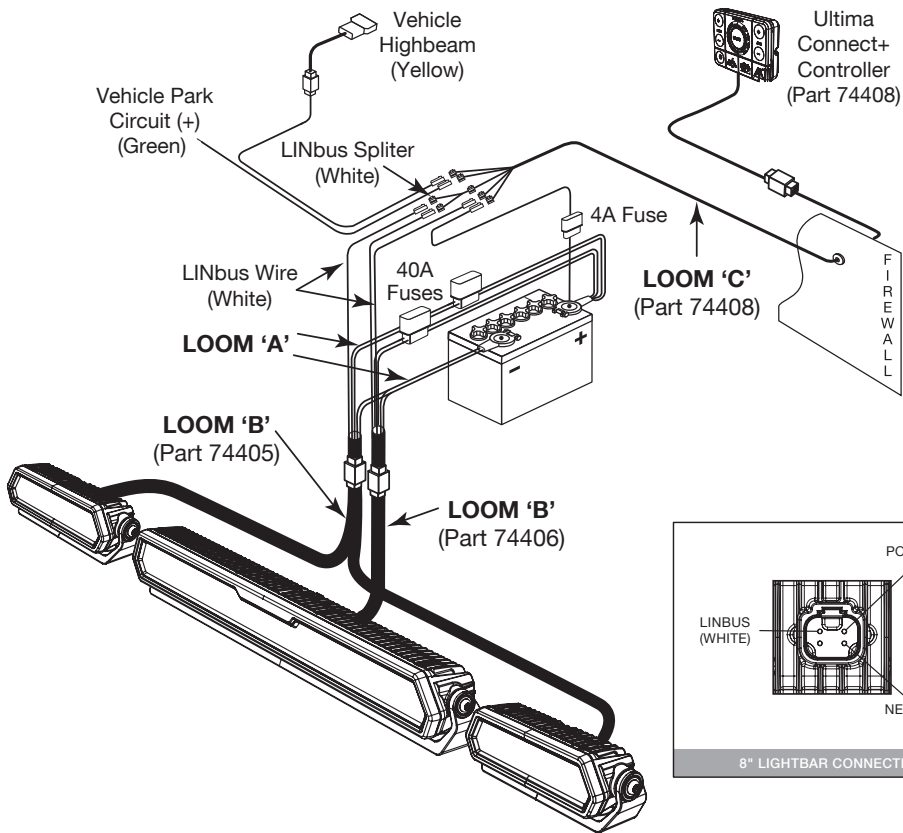
- 1 Connect Loom 'B' DT connectors to Ultima Light Bars.
- 2 Fix Loom 'B' ground cable to chassis or battery (-).
- 3 The kit is supplied with a pre-wired H4 loom assembly for direct connection to the vehicle headlamp high beam circuit. For globe types other than H4, an additional adapter kit (Narva P/No. 74416) is available to suit H1, H3 and H7 globe types.
- 4 A direct connection from the vehicle high beam circuit can be made by connecting to the yellow wire from Loom 'C' of the Connect+ harness. Use yellow "High beam adapter extension" if extra length is required.
Note: See page 4 for Negative Switching
- 5 Connect the Green wire from Loom 'C' Connect+ harness to vehicle park light circuit or ignition source (+).
Note: Do not connect Park (+) Brown wire from 24" light bar when using Connect+
- 6 Connect white LINbus wires from Loom 'B' to Loom 'C'. If using 2 or more harnesses, use the white LINbus wire splitter. Every Connect+ enabled product will need to be connected to the white LINbus wire for full functionality.
- 7 Pass Loom 'C' through the firewall and connect to Connect+ Controller.
- 8 Connect main red positive cable with 40Amp fuse in-line to Loom 'B'. Do not use relay harness for Connect+ install.
- 9 Connect red positive cable with 4Amp fuse in-line to Loom 'C' Connect+ harness.
- 10 Mount fuse holder (Ensure these are mounted in a dry area of the engine bay).
- 11 Connect all red positive cables to battery (+) from Loom 'A' and Loom 'C'.
- 12 Test the Connect+ controller by turning vehicle ignition or parking lights on. Power button on Connect+ should illuminate white.
- 13 Test the light bars by turning on the vehicle's park light and high beams. Press the Power button on Connect+ when illuminated green to turn light bars on. The light bars should only illuminate on high beam.

Note: Light bars must dip with H/Beam to meet ADR requirements
LINbus wire connection only required with Ultima Connect+ Controller
For Negative Switched Vehicles, please refer to page 4

4-PIN DT WIRE SPECIFICATION (1 x 8" Light Bar)

- PIN 1** Positive Red 4mm (16AWG)
- PIN 2** Negative Black 4mm (16AWG)
- PIN 3** Blank
- PIN 4** LINbus White 2.5mm (20AWG)

For pair: Join both "Positive" to 5mm cable and both "Negative" to 5mm cable



HOW TO USE CONNECT+ CONTROLLER

MAIN

Controls 24" Ultima Light bars

Press + to increase brightness
Press - to decrease brightness

BOOST

Overrides all modes and thermal protection system for 30 seconds to provide full brightness with an extra 15% power. BOOST mode will turn off automatically after 30 seconds and cannot be pressed again until 5 minutes later. The boost ring lights up when ready to use.

POWER

White illumination -
Ignition or Parking lights ON

Green illumination -
High beam ON

Press to turn light bars ON and OFF when green light is illuminated.



AUX

Controls 8" Ultima Light bars

Press + to increase brightness
Press - to decrease brightness

DIRT ROAD MODE

Provides 100% brightness on all light bars

4WD TRACK MODE

Provides 50% brightness on MAIN and 100% brightness on AUX

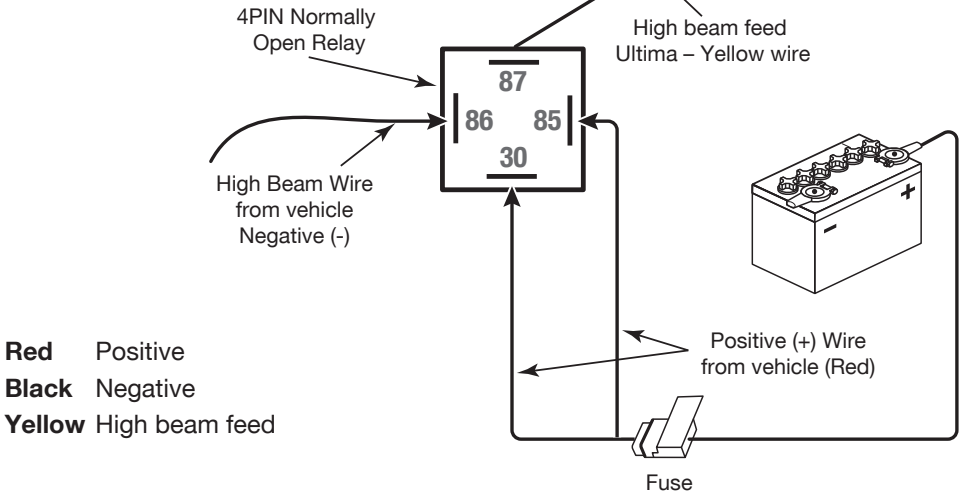
HIGHWAY ROAD MODE

Provides 100% brightness on MAIN and 50% brightness on AUX

NEGATIVE SWITCHING

For negative switched vehicles

- 1 Using a 4PIN normally open relay (Narva P/No. 68000), connect PIN 30 and PIN 85 to a constant +12V source with 5Amp inline fuse.
- 2 Connect negative (-) high beam wire from vehicle to PIN 86.
- 3 Connect PIN 87 to ULTIMA High beam feed.



WARRANTY STATEMENT

Applicable only to product sold in Australia

Brown & Watson International Pty Ltd of 1500 Ferntree Gully Road, Knoxfield, Vic., telephone (03) 9730 6000, fax (03) 9730 6050, warrants that all products described in its current catalogue (save and except for all bulbs and lenses whether made of glass or some other substance) will under normal use and service be free of failures in material and workmanship for a period of one (1) year (unless this period has been extended as indicated elsewhere) from the date of the original purchase by the consumer as marked on the invoice. This warranty does not cover ordinary wear and tear, abuse, alteration of products or damage caused by the consumer.

To make a warranty claim the consumer must deliver the product at their cost to the original place of purchase or to any other place which may be nominated by either BWI or the retailer from where the product was bought in order that a warranty assessment may be performed. The consumer must also deliver the original invoice evidencing the date and place of purchase together with an explanation in writing as to the nature of the claim.

In the event that the claim is determined to be for a minor failure of the product then BWI reserves the right to repair or replace it at its discretion. In the event that a major failure is determined the consumer will be entitled to a replacement or a refund as well as compensation for any other reasonably foreseeable loss or damage.

This warranty is in addition to any other rights or remedies that the consumer may have under State or Federal legislation.

IMPORTANT NOTE

Our goods come with guarantees that cannot be excluded under the Australian Consumer Law. You are entitled to a replacement or refund for a major failure and compensation for any other reasonably foreseeable loss or damage. You are also entitled to have the goods repaired or replaced if the goods fail to be of acceptable quality and the failure does not amount to a major failure.

Distributed by:

Brown & Watson International Pty. Ltd.

Knoxfield, Victoria 3180

www.narva.com.au

IS529

Issue 1 28.04.23